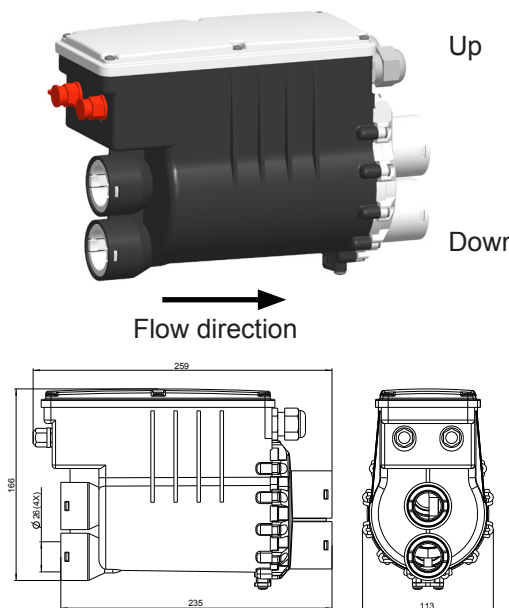
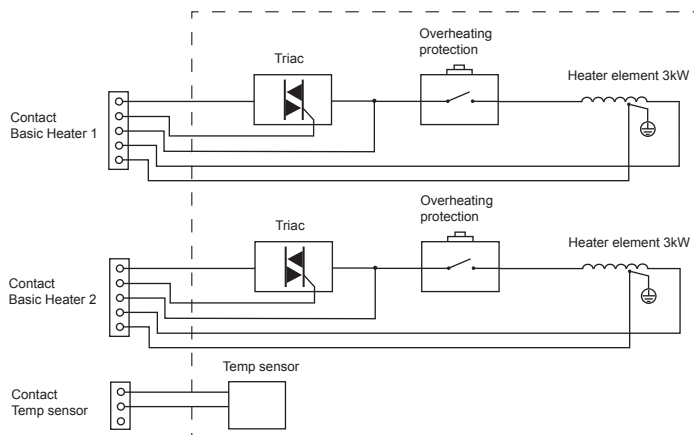


# Installation instructions

## Heater Adjustable 0-6 kW, Art.nr 1000-0083



This whirlpool water heater is developed for private use and shall be installed and used indoors. The heater can be mounted on the pump's suction or pressure side.

### Specifications

Model: 1000-0083

Heater 1

Class I 1N ~ 230V 50Hz 3000W IPX5

Heater 2

Class I 1N ~ 230V 50Hz 3000W IPX5

The heater is delivered with a 1.5 m long connection cable.

### Field range

|                                 |                     |
|---------------------------------|---------------------|
| Ambient temperature:            | 0 till 25 °C        |
| Min Flow:                       | 50 l/min            |
| Max Flow:                       | 500 l/min           |
| Max Pressure:                   | 1 bar, 100 kPa      |
| Thermostat regulation:          | 0-45 °C             |
| Thermostat overheat protection: | 70 °C (manual)      |
| Chlorine content:               | max 3 mg/l (ppm)    |
| Chloride content:               | max 150 mg/l        |
| pH value:                       | 7,2-7,8             |
| Alkalinity:                     | 60-120 mg/l (ppm)   |
| Calcium hardness:               | 200-1000 mg/l (ppm) |

### Assembly instructions

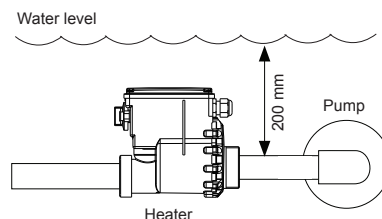
- The heater shall be installed in a dry space with proper ventilation.
- The heater shall be mounted at least 30 mm above the floor surface.
- The heater shall be mounted at approx 200 mm below normal water level.
- Electronic equipment shall be mounted in such a way, that it can not fall into the whirlpool.
- Cables shall be pulled away from sharp edges, cooling flanges, and other mounted equipment which can damage the cables.
- Always keep at least 20mm distance between SELV cable and low voltages cable.
- The heater is of Class I and shall be connected according to current standards; EN 60335-1 and EN 60335-2-60.
- The heater shall only be installed via Electronic Box Basic as a fixed installation to the main system. The heaters cable shall be connected to the connector marked "Heater 1" in the Electronic Box Basic. For more information, please see installation manual for Electronic Box Basic.
- The installation shall be preceded by an all-pole safety breaker with at least a 3 mm breaking distance.
- The all-pole safety breaker should be marked "pool" or "whirlpool"
- The installation shall be preceded by an residual current device (RCD) having a rated residual operating current not exceeding 30 mA.
- The heater shall not be installed to IT - systems.

### Test instructions

- The function of the heater shall be tested
- The heater shall be safety tested according to current standards: EN 60335-1 and EN 60335-2-60.

### User manual

1. Fill the whirlpool with water until it reaches the normal water level.
2. Start the pump of the whirlpool.
3. The heater starts and the temperature is regulated via the control panel.



The heater warms up the water to the preset temperature. If the overheat protection redeems, troubleshoot and take action before resetting the overheat protection. In order to restore the overheat protection, remove the red protection cap and push the button.